



H20P-C

Product Manual

Contents

- 1.Product Description3
- 2.Hardware Specifications5
- 3. Equipment Function Introduction6
- 4. Wiring instructions.....9
- 5. Parameter settings9
- 6. Common Troubleshooting 12

1. Product Description

1.1 Product Overview

The H20P-1 is a Dashcam that integrates functions such as satellite positioning and video surveillance.

The product complies with JT/T 808 and JT/T 1078 standards, meeting the needs of ride-hailing, taxi, and logistics fleets for video monitoring.

1.2 Product Diagram



1.3 Package Contents

The package contains the following items:

1. H20P-1 device (single-recording camera)
2. Power cable
3. TF card bracket with small screws x 2
4. SIM card tray

H20P-1 device (single-recording camera)	
Power cable	
Accessories: (TF card bracket, small screws x 2, SIM card tray)	

2. Hardware Specifications

2.1 Motherboard Detailed Specifications

Item		Description
System	OS	Linux
Storage	RAM	DDR2 512Mb
	ROM	SPI NOR Flash 128Mb
	TF card	Single slot (supports up to 512GB), requires a high-speed card of CLASS10 or higher
Function Interface	Camera	Interface: MIPI DVR Pixels: 400W Field of view: H102°/D123°/V53° Aperture: 1.8 Resolution: 2560x1440 Frame rate: 25 Storage bitrate: 10Mbps
	4G	CAT1, FPC antenna
	GPS/BD	Built-in positioning antenna
	WIFI	IEEE 802 b/g/n, built-in FPC antenna
	G-sensor	3-axis
	Speaker	3W/4Ω , 1.25mm pitch socket
	MIC	Onboard, Electret microphone , 1.25mm pitch socket
	Indicators	Recording, network, positioning status
Power Input	DC 9~36V	

2.2 LED Indicator Lights

The table below shows the status of the LED:

LED	Color	State	Description
Recording	Red	Off	Power off
		Blinking	The system is running normally, but no recording is being recorded
		Steady	In the video
Network	Blue	Off	No 4G
		Blinking	4G signal available but not yet available on the platform
		Steady	4G signal available and online platform
Positioning	Green	Off	No GPS signal
		Blinking	GPS signal present but location not found
		Steady	GPS signal available and location successfully established

3. Equipment Function Introduction

3.1 Product Advantages & Features

- ◆ Support 4G network data transmission and positioning ; front-facing high-definition 2K camera with a resolution of 2560x1440; built-in positioning antenna.
- ◆ Voice support for two-way communication/monitoring.
- ◆ Remote real-time positioning and trajectory playback.
- ◆ Comply with JT/T 808+JT/T 1078 standards.
- ◆ Support functions such as real-time video, historical video

playback.

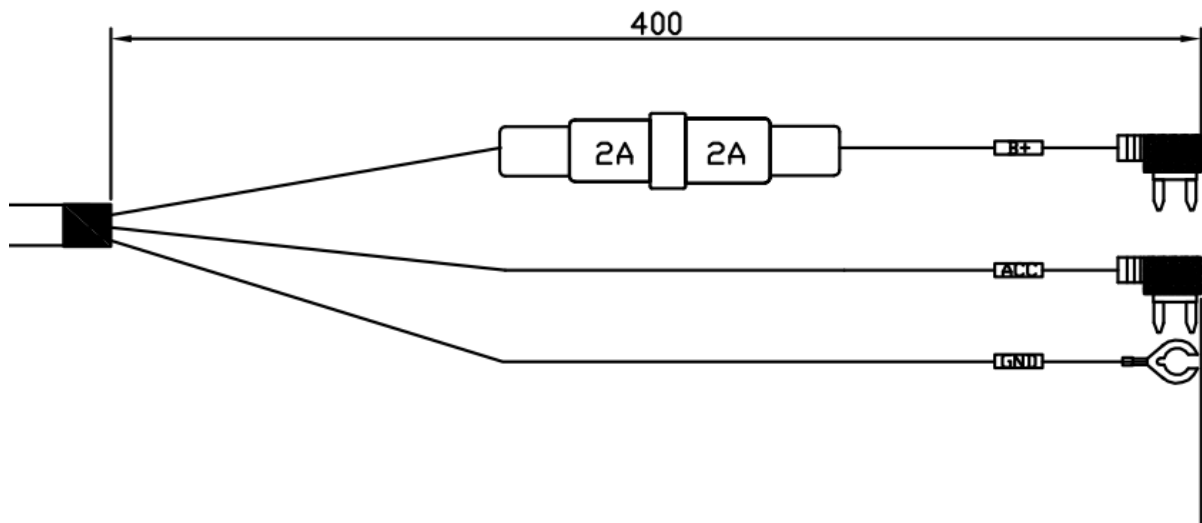
◆ Supports rapid acceleration/rapid deceleration/sharp turn alarms and collision alarms.

3.2 Function Introduction

Function		Function Description
Positioning	Location report	Regular reporting
Recording	Video	Local video recording
Alerts	Overspeed Warning	Vehicle speed is below the maximum speed but meets the overspeed warning threshold
	Overspeed Alarm	Vehicle speed exceeds the maximum speed
	Fatigue driving	Driving continuously for more than a specified time
	Total number of driving alarms reported that day	The total driving time for the day exceeded the specified time
	Overtime parking alarm	Parking for more than the specified time
Parameter Query	Query terminal properties	Terminal parameters, including online IP address, port, etc.

Parameter Settings	Set Terminal Parameters	Terminal attributes, including terminal type, terminal model, etc.
Upgrade	Remote Upgrade	Support
	Text Information Dispatch	Set command parameters, including FTP remote upgrade, parameter modification, etc.
Multimedia	Instant Capture	Remote Photo Capture
	Multimedia Upload	Support
	Multimedia Retrieval	Support
Audio & Video	Real-time Video	Support
	Video Playback	Support
	Audio & Video Download	Support
	Intercom	Support
	Listening	Support
Other	Geofence settings	Support

4. Wiring instructions



5. Parameter settings

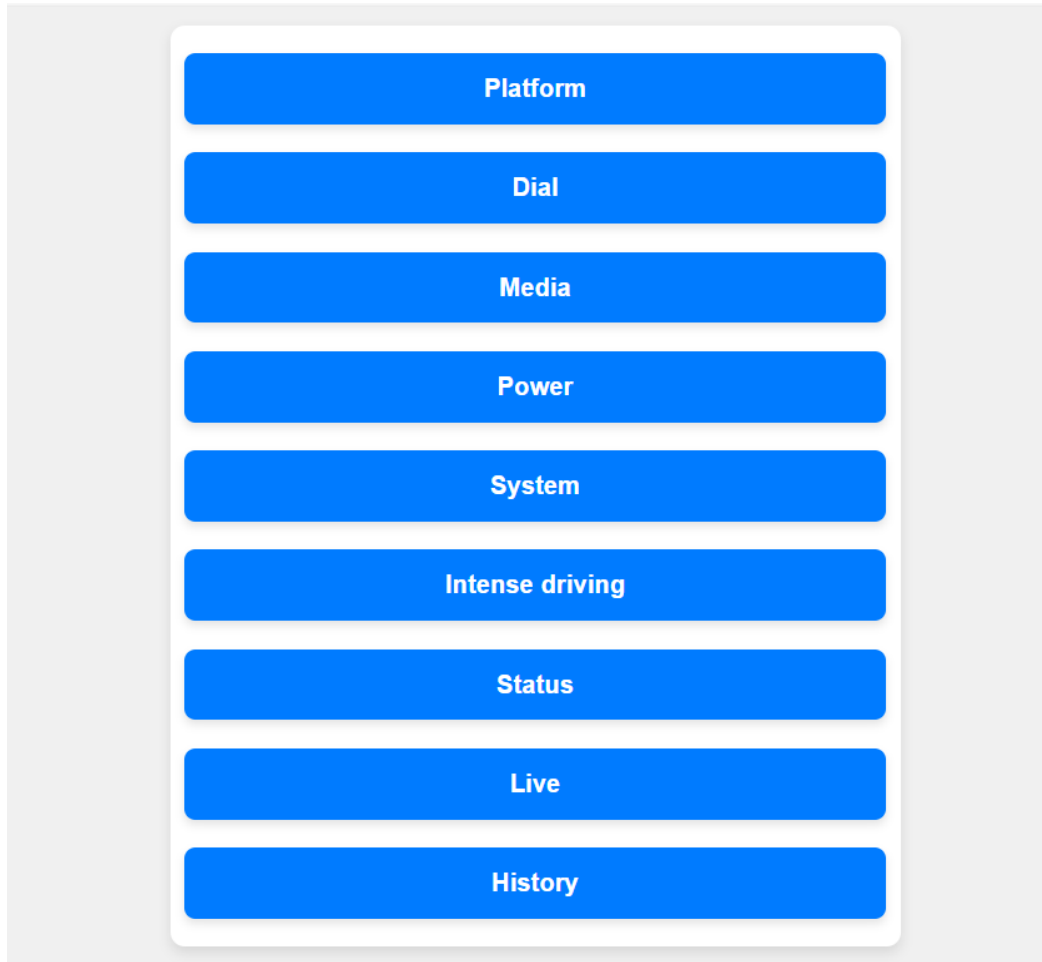
Press the WiFi button on the side of the device. A voice prompt will indicate that WiFi is turned on. Use your phone or computer to connect to the WiFi and follow the steps below to complete the setup.

Step1:

When the device is powered on, use your phone or computer to search for the WiFi network named after the device's IMEI number. Enter the password 12345678 to connect successfully.

Step2:

Enter the address 192.168.169.1/set in the browser on your phone or computer to open the dashcam settings page.

**Step3:**

Set platform parameters, select protocol type 2019 for the center protocol.

Please don't configure the Device Number. Please don't configure center address and center port without switching platforms.

Device Number:	<input type="text"/>
Province ID:	<input type="text"/>
City County ID:	<input type="text"/>
Manufacturer ID:	<input type="text"/>
Device Model:	<input type="text"/>
Device ID:	<input type="text"/>
License Plate Color:	None <input type="button" value="v"/>
License Plate Number:	<input type="text"/>
First center address:	d59828.gpsog.com
First center port:	59828
First center protocol:	2019 <input type="button" value="v"/>

Step4:

Click the Dial, configure APN parameters.

APN:	<input type="text"/>
User:	<input type="text"/>
Password:	<input type="text"/>
Protocol:	<input type="button" value="v"/>
Experimental function:	<u>Tips</u> OFF <input type="button" value="v"/>
IMEI:	860871080024972

6. Common Troubleshooting

Fault Symptoms	Troubleshooting Steps
Browser cannot access the specified address	Please disable mobile data first.
Live camera feed unavailable	<ol style="list-style-type: none"> 1. Use the browser to view the camera feed. 2. Check if the SIM card has a whitelist mechanism, and if it does, whether it can access the server address configured in the platform parameters. 3. The recording indicator light is red; solid on indicates normal recording, blue when not recording, and purple during startup or upgrade processes. The yellow light is the network indicator; flashing indicates network connection but not connected to the platform, while solid on indicates network connection and platform connection established. The green light is the positioning indicator; solid on indicates positioning, and flashing indicates no positioning.
The device is not coming online on the platform	<ol style="list-style-type: none"> 1. Check the platform parameters. 2. Check the device ID added to the platform. 3. Check the SIM card status: whether there is poor contact or if it is out of credit.